

Please note that the data given here has been taken from the online catalog. For comprehensive information and data, please refer to the user documentation at <http://www.download.phoenixcontact.com>. The General Terms and Conditions of Use apply to Internet downloads.

## ► Extract from the online catalog



MCR current measuring transducer, programmable and configurable, for measuring direct, alternating and distorted currents, with relay and transistor output, input current 0...10 to 0...50 A, unconfigured

The illustration shows version MCR-S-10-50-UI-DCI

Order No.	2814744
Ord designation	MCR-S10-50-UI-SW-DCI-NC
EAN	4017918169299
Pack	1 Pcs.
Customs tariff	85389091
Catalog page information	Page 288 (IF-2005)

## ► Technical data

**Input data**

Input	Current measuring input
Configurable/programmable	Yes, unconfigured
Input current range	0 A ... 55 A (AC/DC)
Setting range for min. input current	0 A ... 9.5 A
Setting range for max. input current	0 A ... 55 A
Impulse form	AC, DC or distorted currents
Overload capacity	Depending on through connected conductor
Surge strength	Depending on through connected conductor
Frequency measuring range	15 Hz ... 400 Hz
Type of connection	Through connection, diameter 10.5 mm

**Output data**

Output name	Voltage output / current output
Configurable/programmable	Yes, unconfigured
Voltage output signal	0 V ... 10 V
Voltage output signal	2 V ... 10 V
Voltage output signal	-10 V ... 10 V
Voltage output signal	0 V ... 5 V
Voltage output signal	1 V ... 5 V
Voltage output signal	-5 V ... 5 V
Voltage output signal	10 V ... 0 V
Voltage output signal	10 V ... 2 V
Voltage output signal	10 V ... -10 V
Voltage output signal	5 V ... 0 V
Voltage output signal	5 V ... 1 V
Voltage output signal	5 V ... -5 V
Current output signal	0 mA ... 20 mA
Current output signal	4 mA ... 20 mA
Current output signal	20 mA ... 0 mA
Current output signal	20 mA ... 4 mA
Load/output load voltage output	> 10 kOhm
Load/output load current output	< 500 Ohm

**Switching output**

Output name	Relay output
Contact type	1 PDT
Contact material	AgSnO, hard gold-plated
Maximum switching voltage	30 V AC
Maximum switching voltage	36 V DC
Maximum switching voltage	250 V AC (When the gold layer is destroyed)
Limiting continuous current	50 mA
Limiting continuous current	2 A (When the gold layer is destroyed)
Setting range of the threshold value	1 % ... 110 %

**Power supply**

Range of supply voltages	20 V DC ... 30 V DC
Typical current consumption	Approx. 50 mA (Without load)

**Connection data**

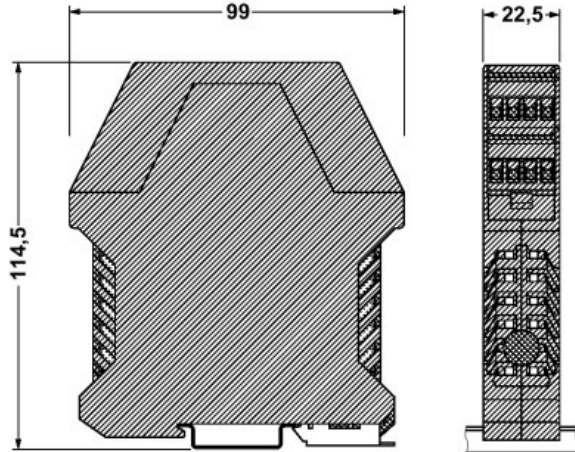
Type of connection	Pluggable screw connection
Conductor cross section, rigid min.	0.2 mm <sup>2</sup>
Conductor cross section, rigid max.	2.5 mm <sup>2</sup>
Conductor cross section flexible min.	0.2 mm <sup>2</sup>
Conductor cross section, flexible max.	2.5 mm <sup>2</sup>
Conductor cross section AWG/kcmil min.	24
Conductor cross section AWG/kcmil max	14
Stripping length	8 mm
Screw thread	M 3

**General data**

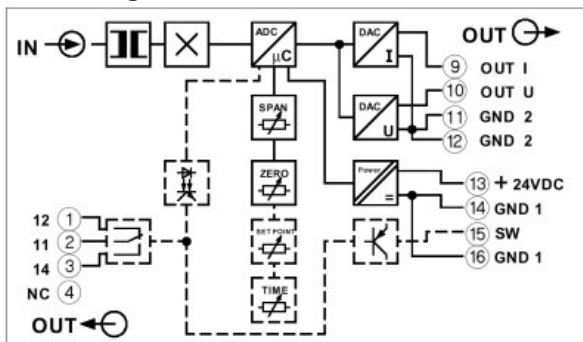
Length	99 mm
Width	22.5 mm
Height	114.5 mm
Transmission error, max.	< 0.5 % (Of range nominal value under nominal conditions)
Temperature coefficient, typical	< 0.025 %
Measuring rate	5 Hz
Step response (10-90%)	330 ms (With AC)
Step response (10-90%)	40 ms (With DC)
GRP test voltage	4 kV AC (50 Hz, 1 min)
Test voltage input/output	4 kV AC
Test voltage input/power supply	4 kV AC
Test voltage output/power supply	500 V AC
Status display	LED green
Ambient temperature (operation)	-20 ° C ... 60 ° C
Electromagnetic compatibility	CE in compliance
Color	green
Housing material	Polyamide PA non-reinforced
Installation position	Any

► Drawings

Dimensioned drawing



Circuit diagram





---

## ► Address

---

PHOENIX CONTACT Inc., USA  
586 Fulling Mill Road  
Middletown, PA 17057  
USA  
Phone (800) 888-7388  
Fax (717) 944-1625  
<http://www.phoenixcon.com>  
Phoenix Contact  
Technical modifications reserved;